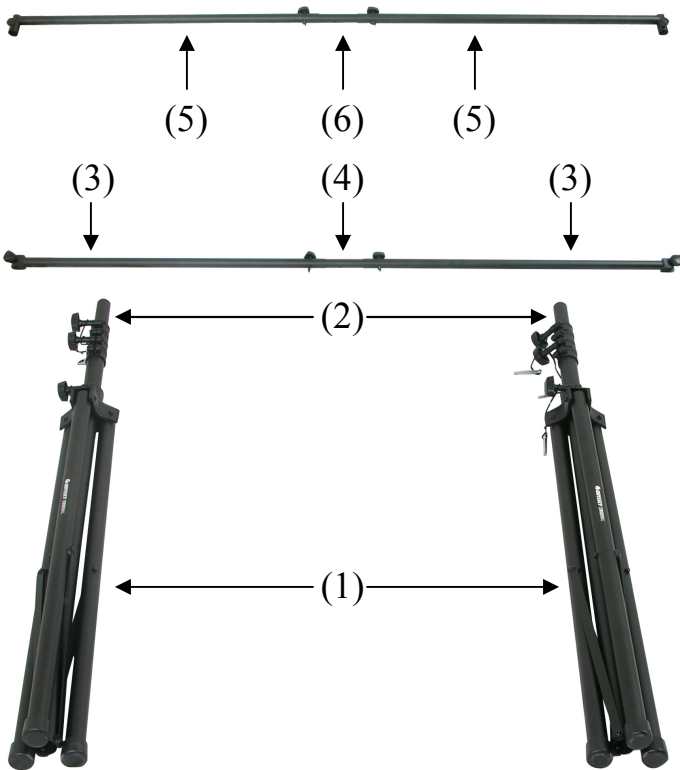


ODYSSEY[®]

LTMVSS1014L

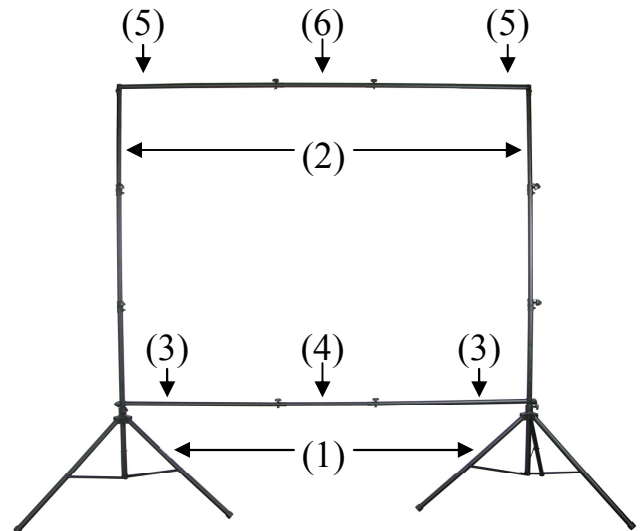
VSS-L™ MOBILE VIDEO SCREEN SYSTEM

Includes: (1) White Lycra Spandex Video Screen with attachment cords, (1) Dual Tripod Screen Frame, (1) VSS-L System Carry Bag



VSS-L Frame Parts:

- (1) Two base tripods
- (2) Two tripod top vertical pole extensions
- (3) Two lower horizontal poles with tripod attachment connectors
- (4) One lower horizontal pole center extension
- (5) Two top horizontal poles with vertical pole connectors
- (6) One top horizontal pole center extension



VSS-L TRIPOD FRAME SPECS

- Max. Height is 14'
- Min. Height is 6'
- Max. Width is 10'5"
- Min. Width is 8'

VSS-L SCREEN SPECS

- Front or Rear projection
- At the maximum stretched point the viewing field is 88" x 60"
- At the minimum stretched point the viewing field is 80" x 52"

VSS-L screen tips:

Thank you for purchasing the Odyssey Mobile VSS-L video screen system. You are now the owner of yet another innovative product designed and manufactured by DJ's and VJ's to help make your jobs easier. No one in our industry cares more about making your job easier and tries harder into finding more ways in creating innovative solutions for you.

When used outdoors we suggest utilizing sand bags to keep the screen system stabilized.

Take special care when setting up and tearing down your screen system. As with any fabric, the possibility of tearing and getting soiled is likely.

Hand wash in cold water separately for best results. Do not use chlorine bleach. Hang dry, but not in direct sunlight as this may cause discoloration. Do not iron. The screen material is wrinkle resistant and any creases will not likely be seen once the screen is stretched for use.

IMPORTANT SAFETY NOTICE!!!

We strongly advise to keep the screen away from open flames & sparks such as fireworks and pyrotechnics, and direct heat or any type of electrical fixtures such as power outlets that may generate excessive heat as this may cause burns in the fabric and in some rare instances, may even ignite. Before using at your event, check with the local fire department for more information regarding flame retardant material certification requirements.

Be careful not to over stretch or tug the video screen fabric beyond its stated maximum size which is 10'x 7'. Be aware of your surroundings and persons near you while stretching the fabric with any cords attached as the risk of eye or bodily injury is possible if the fabric or cord slips out of your hand during set up or tear down. The manufacturer accepts no liability with user / operator error.

This product is for mobile video projection use ONLY and not for permanent installation.