

USER GUIDE

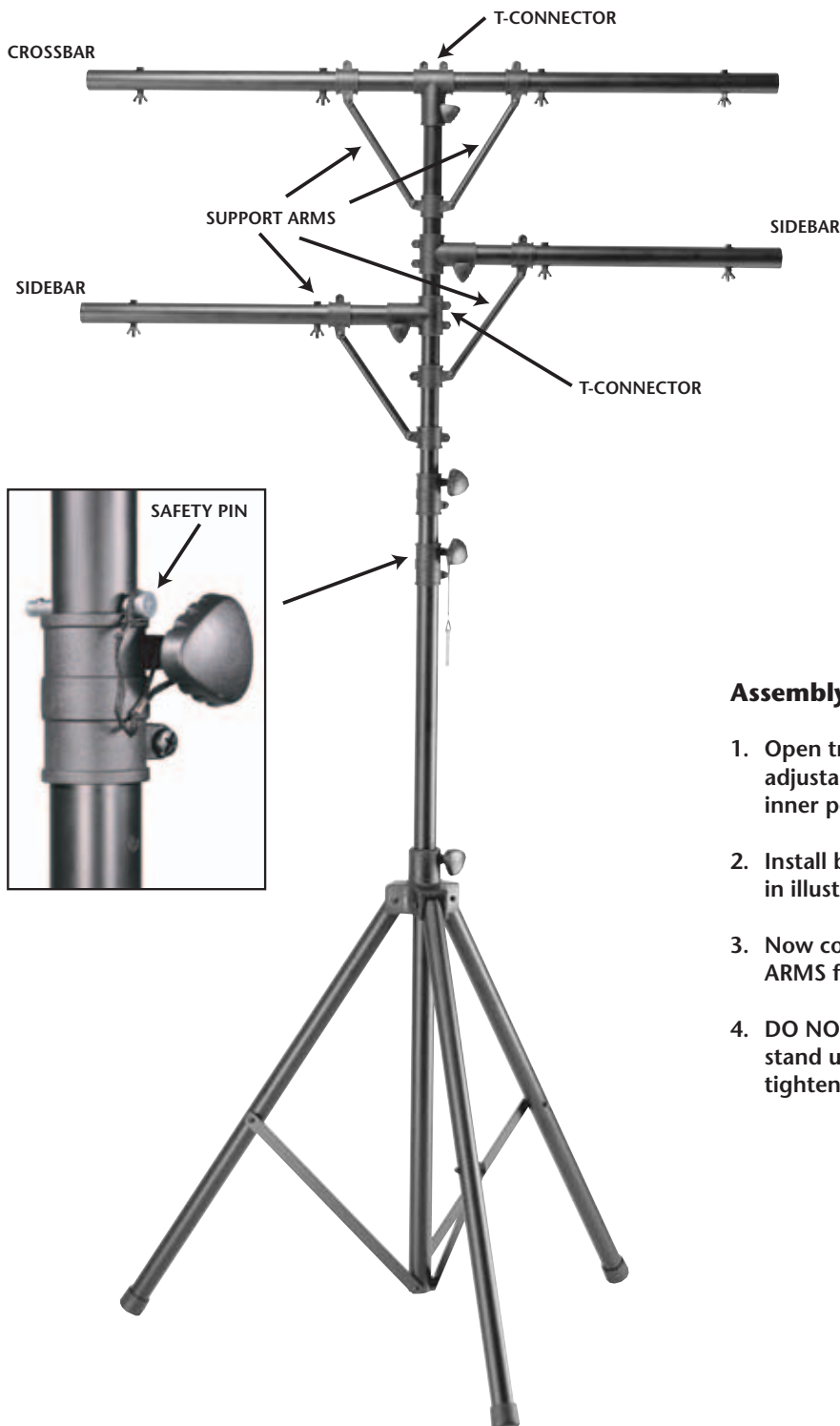
LT-P1 LTP1

Thank you for choosing Odyssey.



IMPORTANT!

Please read this User Guide before attempting to assemble and use stand



Out of Box Inventory List

Qty	Item
1	12' TRIPOD STAND WITH SAFETY PIN
1	ADJUSTABLE INNER POLE FOR TRIPOD STAND
1	4' CROSSBAR with T-CONNECTOR and DUAL SUPPORT ARMS
2	SIDEBARS with T-CONNECTORS and SUPPORT ARMS
1	HARDWARE BAG CONSISTS OF THE FOLLOWING:
1	HEXAGON ALLEN WRENCH
8	BOLTS
8	HEX NUTS
8	WING NUTS

Assembly Steps for the LTP1

1. Open tripod stand to the widest span possible. Next insert adjustable inner pole inside tripod through the top. After inner pole is installed, insert safety pin in hole.
2. Install both SIDEBARS with SUPPORT ARMS first as shown in illustration above. Make sure to fasten securely.
3. Now connect the 4' CROSSBAR with DUAL SUPPORT ARMS first and then tightening the T-CONNECTOR.
4. **DO NOT** attempt to mount or hang anything on your stand until your **LTP1** is securely assembled with knobs tightened and safety pin installed.

Specifications

- 1 Black high quality aluminum/steel tripod stand with 1 T-bar, 2 side bars & support bars
- Tripod extends to 12 feet
- Folds up for easy transport
- Maximum load capacity 100lbs. evenly distributed
- includes 8 hanging bolts
- Weight: 14 lbs.