

USER GUIDE

LT-S1 LTS1

Thank you for choosing Odyssey.

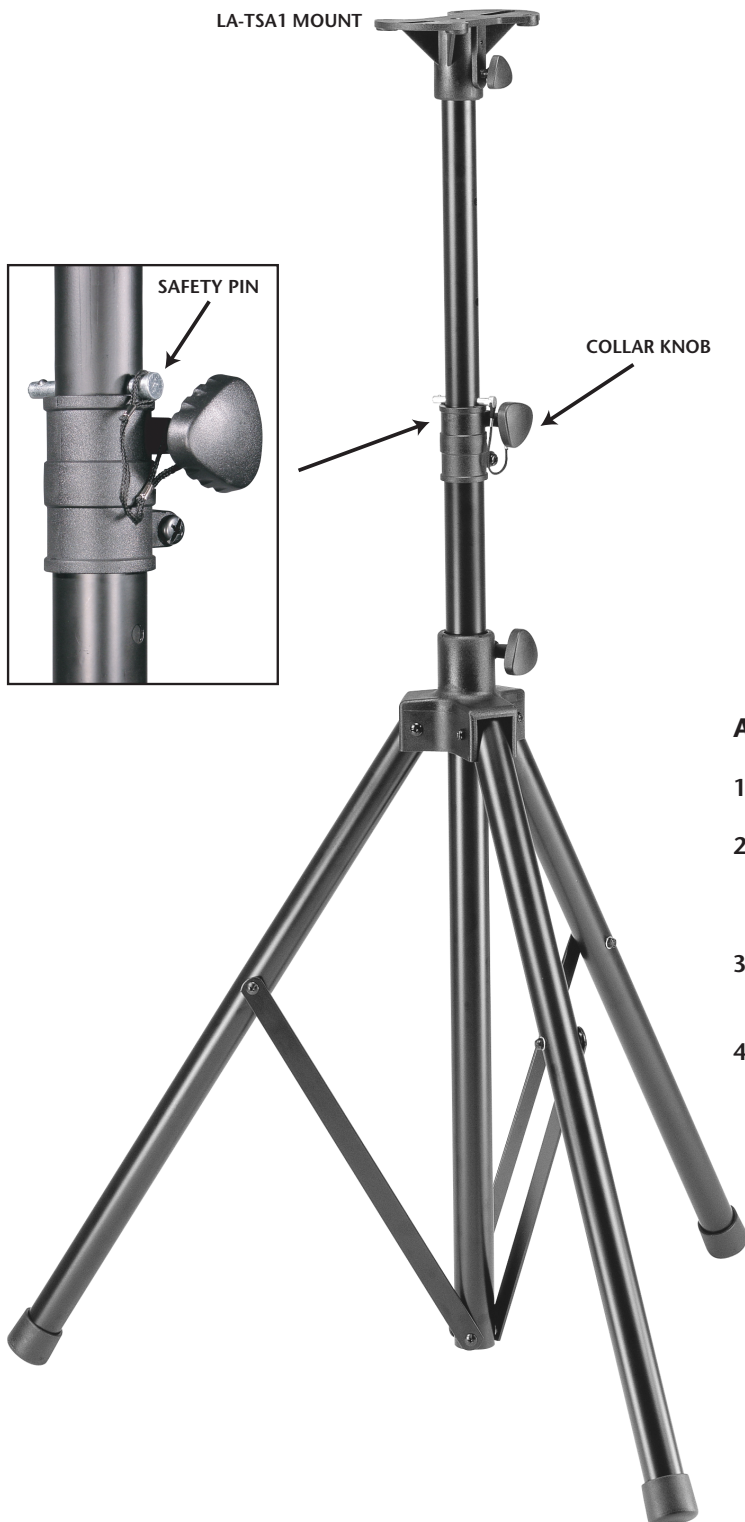


IMPORTANT!

Please read this User Guide before attempting to assemble and use stand.

Out of Box Inventory List

Qty	Item
1	7' TRIPOD STAND WITH SAFETY PIN
1	LA-TSA1 Mount
1	HARDWARE BAG CONSISTS OF THE FOLLOWING:
4	BOLTS
4	HEX NUTS
4	WASHERS



Assembly Steps for the LTS1

1. Open tripod stand to the widest span possible.
2. Securely fasten the LA-TSA1 mount to the speaker, followspot or other desired gear to be mounted. The mounted item should not exceed 100 lbs.
3. Next slide the mounted item on top of the tripod and tighten knob on mount.
4. Raise the inner pole to the desired height, insert safety pin into pole and tighten.

Specifications

- 1 Black high quality aluminum tripod stand with mount
- Tripod extends to 7 feet
- Folds up for easy transport
- Maximum load capacity 100 lbs. evenly distributed
- includes 4 mounting bolts
- Weight: 7 lbs.